



F66N-80

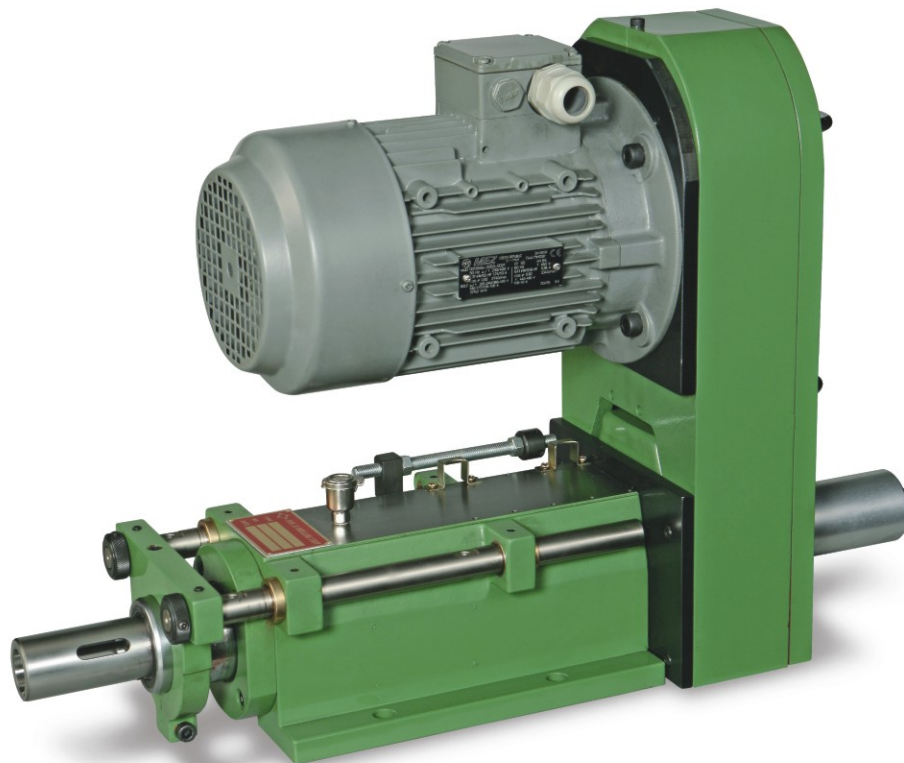
Tapping Unit

■ Specification

Tapping Capacity	M20(mild steel)
Stroke	80mm
Thread Pitch	0.5mm~2.0mm
Weight	66kg
Gauge Lubrication	Grease
Transmission	a. A2-DP ϕ 141 b. HTD-5GT-84T

■ Consumption Parts

Spindle Bearing	6006Zx3
Pulley Bearing	6010Zx2, 6010LLx1
O-Ring for Spindle	TC42-55-9x1, SDR65x1

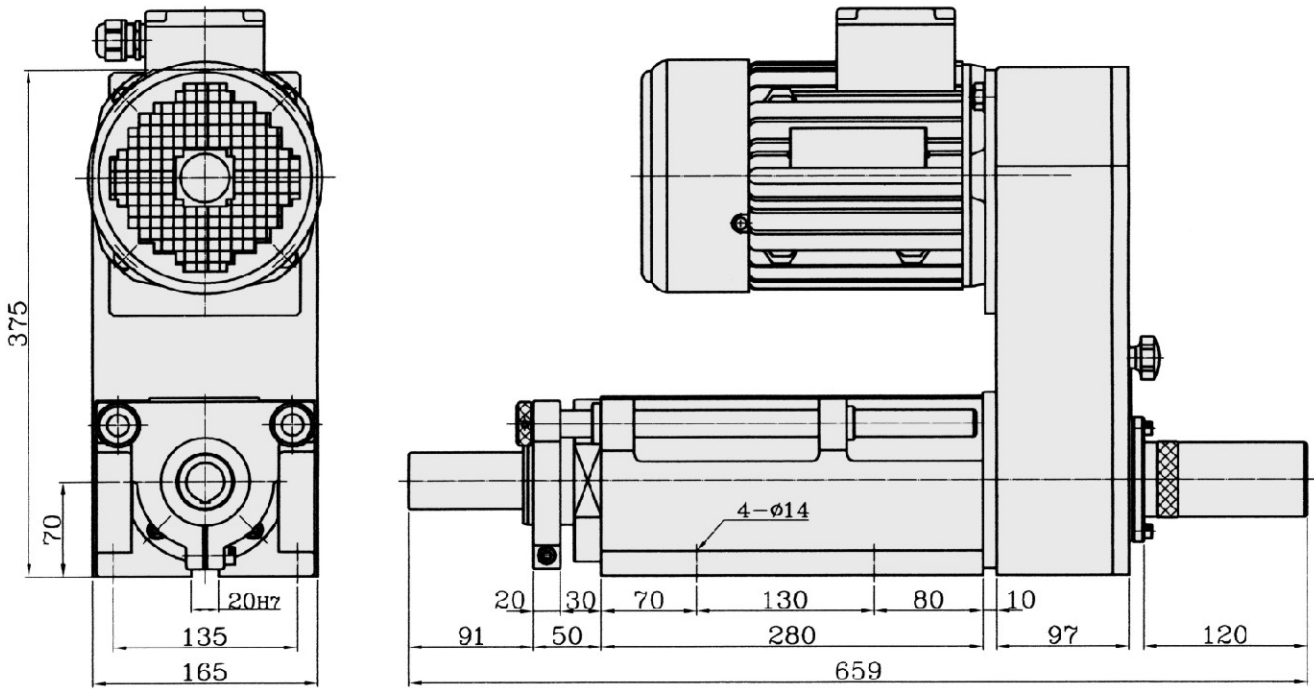




F66N-80

Tapping Unit

■ Dimensions



F66N-80-AS28

